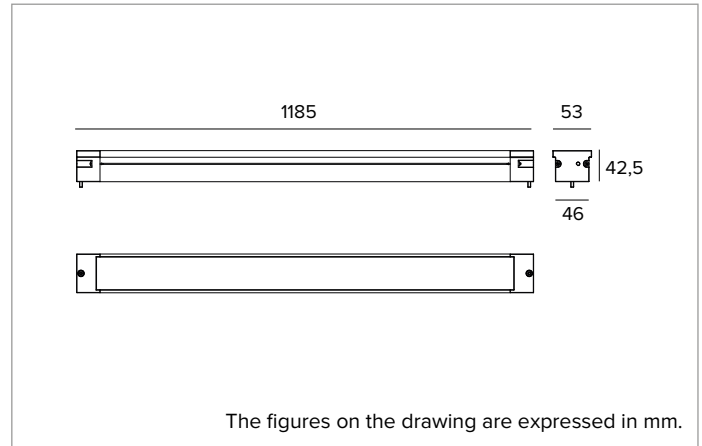


1E3640 | JEDI COMPACT Outdoor Recessed Recessed linear LED projector



		4000K	H(m)	D1(m)	D2(m)	Emax(lx)
		Ra80	76°	15°		
Fixture Power	48W	1	1.55	0.26	11524	
Source Flux	7200lm	2	3.10	0.51	2881	
Fixture Flux	5983lm	3	4.65	0.77	1280	
Efficacy	125lm/W	4	6.21	1.02	720	
TS1089	I _{max} =1601cd/klm	I _{max}	11524cd	5	7.76	1.28 461



SOURCE

High Power High Efficiency Ra80 linear LED board. Ra90 on request.

Energy efficiency class: D

Nominal power: 48W

Nominal flux: 7200lm

Colour rendering index: 80

Rf: 82.6

Rg: 95.7

CCT nominal: 4000K

Lifetime (L80/B10): >50000h tq +25°C

ILLUMINOTECHNICAL CHARACTERISTICS

Internal optical system composed of a primary cylindrical glass lens, a high reflectance anodised aluminium reflector and an integrated holographic filter. Grazing light version.

Optic: HYBRID

Beam angles: GRZ

Optical efficiency: 83%

Fixture flux: 5983lm

Luminous efficacy: 125lm/W

Photobiological safety: Compliant with RG1 low risk group

MECHANICAL CHARACTERISTICS

Extruded anodised aluminium 15µ body. Extra clear 5mm thick glass flat screen.

Colour and finish: Aluminium

Dimensions: L=1185mm

Weight: 3.3Kg

Version: REMOTE DRIVER

Degree of protection: IP66,IP67,IP68,IP69

Mechanical Resistance: IK08

ELECTRICAL CHARACTERISTICS

Remote driver version. The optical unit is pre-cabled with a 1 metre 3x1mm² H07RN-F cable. Electronic ON-OFF or DALI power supply, pre-cabled with a 1 metre 3x1mm² H07RN-F cable for the connection to the optical unit and a 3x1mm² or 5x1mm² cable for the connection to the mains and to the DALI. Casambi control system available as an accessory (only for DALI versions).

Fixture Power: 48W

Power supply: 500mA

Insulation Class: CLASS 1

Driver included: NO

Class F: YES

Ambient temperature: -25°C / +35°C

INSTALLATION

To be completed with an anodised aluminium outer casing suitable for in-line installation and external looping.

NOTES

Uses the "Waterblock Smart" technical solution that involves resin coating the connection cables, limiting the risk of humidity reaching the driver or the fixture. 110-277Vac version available on request. Values related to the power consumption of the fixture do not take into account the consumption of the accessory driver, which depends on the choice of driver. IP68: the projector is not suitable for permanent underwater installation but can withstand temporary accidental immersion to a depth of 2 metres (max.24h). IP69: IEC/EN 60529 standard compliant. Commissioning of the control system via free APP; the intervention of a specialist technician can be quoted on request.

WARRANTY

5 years.

WARNING

Luminaire designed for disposal/recycling at end-of-life. Replaceable (LED only) light source by a professional.

Due to the technological evolution of the electronic components, the data provided may be updated, and as such, confirmation must be requested during the order process.

Luminous flux and power supply have +/-10% tolerances with respect to the indicated value. tq +25°C (CIE 121).

We reserve the right to make technical changes.

Targetti Sankey S.r.l.
Via Pratese, 164
50145 Firenze - Italy
Tel: +39 055 37911
targetti.com
targetti@targetti.com

CCIAA Firenze
Share Capital:
€ 500.000,00
VAT N. (IT):
01537660480
R.E.A.: FI-275656

TARGETTI

1E3640 | JEDI COMPACT Outdoor Recessed Recessed linear LED projector

Related codes

Insertion Box

L mm	H mm	P mm	Code
1189	58	94	1E3732

Aluminium outer casing for Jedi Compact with remote driver.

Power Supply



Code

1E3558

ON-OFF power supply kit made of an aluminium watertight box (LxHxP=486x49.5x44mm) complete with power supply input cable (1 metre, type H07RN8-F, 3G1mm²) and an output cable to the fixture (1 metre, type H07RN8-F, 3G1mm²).

For the L 593.5/625/873.5/905/1153.5/1185mm versions.



Code

1E3560

DALI power supply version kit composed of an aluminium watertight box (LxHxP=486x49.5x44mm) complete with power supply input cable (1 metre, type H07RN8-F, 5G1mm²) and an output cable to the fixture (1 metre, type H07RN8-F, 3G1mm²).

For the L 873.5/905/1153.5/1185mm versions.

Accessories

Tool



Code

1E3305

Tightening wrench for the connector kit.

Connector



Code

1E2769

Linear connection box IP66/IP68.

5 poles max. wire section 1.5mm².

Cable diameter range from 7 to 12mm.



Code

1E2494

Multiple connection box IP68.

1 IN - 3 OUT 4 poles max. wire section 2.5mm².

Cable diameter range from 6 to 12mm.



Code

1E3184

IP68 4-way cable connector (5 pole).

Due to the technological evolution of the electronic components, the data provided may be updated, and as such, confirmation must be requested during the order process.

Luminous flux and power supply have +/-10% tolerances with respect to the indicated value. tq +25°C (CIE 121).

We reserve the right to make technical changes.

Targetti Sankey S.r.l.
Via Pratese, 164
50145 Firenze - Italy
Tel: +39 055 37911
targetti.com
targetti@targetti.com

CCIAA Firenze
Share Capital:
€ 500.000,00
VAT N. (IT):
01537660480
R.E.A: FI-275656

TARGETTI

1E3640 | JEDI COMPACT Outdoor Recessed Recessed linear LED projector

Control systems



Code

1E3048

IP67 wireless control unit with DALI interface.

It generates a local DALI2 bus, enabling a direct connection to a DALI interface LED driver.

The module can only be used in a closed system and cannot be connected to an existing DALI network.

The module is wireless controlled using a Casambi app for smartphones and tablets using Bluetooth 5.0 technology.

The devices automatically create an adaptive, robust, and reliable wireless mesh network, allowing for the easy and efficient management of a high number of fixtures.

The control unit is preset to the DALI 1CH profile, meaning the device can control a single DALI driver with broadcast commands.

In addition to the DALI broadcast, other operating modes are available, such as:

- Button (normally open)
- Control unit 0/1-10V
- Control unit DALI Tunable White DT8
- Presence sensor



Code

1E4369

IP67 Extender for wireless control of LED driver with dimming DALI interface based on Casambi technology.

It has a DALI2 output with the capacity to control up to 40 lighting fixtures.

With the addition of a further external BUS DALI power supply it is possible to control up to 64 fixtures.

IP67 Extender is preset to the DALI broadcast profile, meaning all the luminaires connected to it are dimmable at the same level.

In addition to the DALI broadcast other operating modes are available, such as:

- EXTENDER DALI 8CH
- EXTENDER DALI Tunable White
- EXTENDER DALI 4CH
- EXTENDER DALI DT8 Tunable White

Surge protector



Code

A013A

Surge protector compatible with CLASS I lighting fixtures.

Operating voltage 230-277Vac.

SPD type 2+3.

Max surge protection 10kV.

CLASS I

IP67

Due to the technological evolution of the electronic components, the data provided may be updated, and as such, confirmation must be requested during the order process.

Luminous flux and power supply have +/-10% tolerances with respect to the indicated value. tq +25°C (CIE 121).

We reserve the right to make technical changes.

Targetti Sankey S.r.l.
Via Pratese, 164
50145 Firenze - Italy
Tel: +39 055 37911
targetti.com
targetti@targetti.com

CCIAA Firenze
Share Capital:
€ 500.000,00
VAT N. (IT):
01537660480
R.E.A: FI-275656

TARGETTI